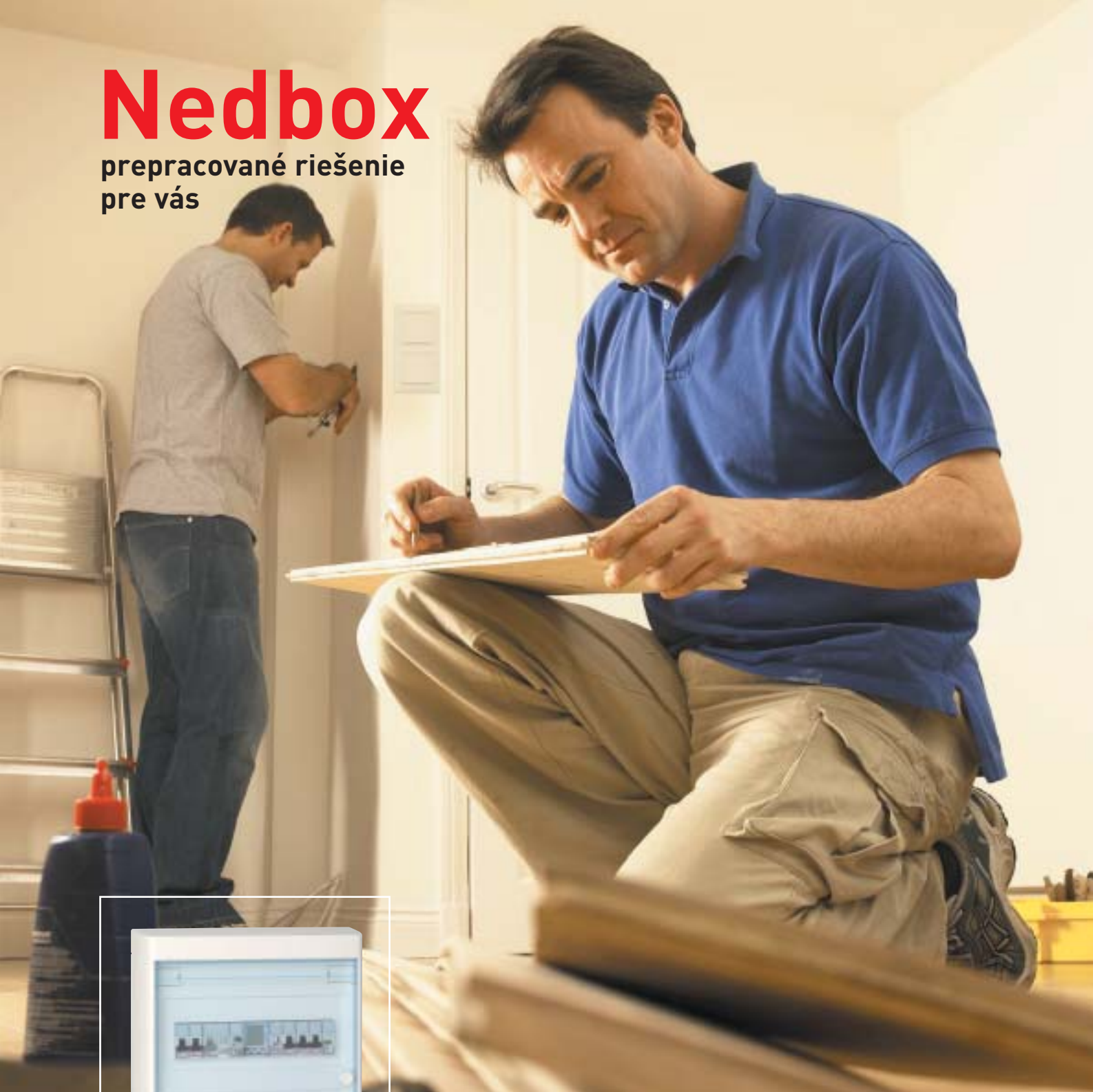


Nedbox

prepracované riešenie
pre vás



NOVÉ ROZVODNICE NEDBOX
PRE MONTÁŽ NA POVRCH

 **legrand**[®]



Easy and clever cabling



- > Fast locking of cover by flip-latch for 2, 3 and 4 rows 12 modules boxes
- > Push-latch system for opening and closing
- > Choice of doors :
 - white or blue-tinted transparent plastic door
 - white metal door



- > Chassis can be clipped

Nedbox

surface mounting distribution cabinets
8 to 48 modules



6012 44



6012 09

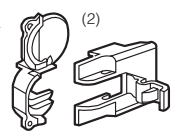
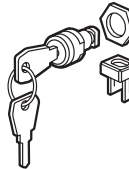
6012 05

IP 40 - IK 07 with door
IP 30 - IK 05 without door
Class II □ - White RAL 9010
Conform to EN 60439-3
Self extinguishing 650° C
Polysterene material

Can be equipped with reversible plastic or metal door
Chassis can be clipped removed and tipped back to facilitate cabling
Supplied without terminal blocks (see below)

Pack	Cat.Nos	Distribution boxes
10	6012 40	Cover fixing with quick motion screws
10	6012 41	1 row of 8 modules 1 row of 12 + 1 modules
1	6012 42	Fast locking by flip latch
1	6012 43	2 rows of 12 + 2 modules
1	6012 44	3 rows of 12 + 3 modules 4 rows of 12 + 4 modules

	Doors		
	White	Blue tinted ⁽¹⁾	
1	6012 05	6012 15	For Cat.No 6012 40
1	6012 06	6012 16	For Cat.No 6012 41
1	6012 07	6012 17	For Cat.No 6012 42
1	6012 08	6012 18	For Cat.No 6012 43
1	6012 09	6012 19	For Cat.No 6012 44
	Metal doors		
1	6012 26		For Cat.No 6012 41
1	6012 27		For Cat.No 6012 42
1	6012 28		For Cat.No 6012 43
1	6012 29		For Cat.No 6012 44

		Accessories
1	014 91	Lock  (2)
1	013 89	Sealing kit 
20	016 60	Blanking plates white
10	016 62	Separable into modules or 1/2 modules 5 modules 13 modules
10	6012 90	Terminal blocks
10	6012 91	For 1 row of 8 modules
10	6012 92	Neutral and earth - 2 x 8 holes
10	6012 93	For 1, 2, 3 and 4 rows of 12 modules Neutral and earth - 2 x 12 holes Earth - 30 holes Neutral - 30 holes

(1) Transparent plastic doors
(2) For Cat.Nos 6012 42/43/44

Nedbox

surface-mounting distribution boxes from 8 to 48 modules

Supplied with earth and neutral terminal blocks



6012 04 6012 03 6012 02 6012 01 6012 00

**IP 40 (with door) IP 30 (without door)
IK 07 (with door) IK 05 (without door)**

Class II □ - White RAL 9010
Conform to EN 60439-3
Self extinguishing 650° C
Polystyrene material
Protected terminal blocks
Can be equipped with reversible white or blue tinted plastic door or white metal door
Chassis can be clipped removed and tipped back to facilitate cabling

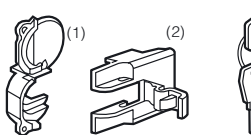
Pack Cat.Nos **Cover fixing with quick motion screws**

- 1 6012 00 1 row of 8 modules
- 1 6012 01 1 row of 12 + 1 modules

Fast locking by flip-latch

- 1 6012 02 2 rows of 12 + 2 modules
- 1 6012 03 3 rows of 12 + 3 modules
- 1 6012 04 4 rows of 12 + 4 modules

Accessories

- 1 014 91 Lock 
- 1 013 89 Sealing kit
- 10 048 30 Earth terminal block
- 10 048 40 Vertical terminal block
- 10 048 50 Phase terminal block
- 20 016 56 Additional blanking plates (6.5 modules)

(1) : For 8 and 12 modules except (Cat.Nos 6012 00/01)
(2) : For Cat.Nos 6012 02/03/04

Nedbox

doors for surface-mounting distribution boxes



6012 09 6012 05 6012 19 6012 15

Pack Cat.Nos **Doors**

- White plastic doors - Polycarbonate**
- 1 6012 05 For Cat.No 6012 00
 - 1 6012 06 For Cat.No 6012 01
 - 1 6012 07 For Cat.No 6012 02
 - 1 6012 08 For Cat.No 6012 03
 - 1 6012 09 For Cat.No 6012 04

Transparent plastic doors blue tinted Polycarbonate

- 1 6012 15 For Cat.No 6012 00
- 1 6012 16 For Cat.No 6012 01
- 1 6012 17 For Cat.No 6012 02
- 1 6012 18 For Cat.No 6012 03
- 1 6012 19 For Cat.No 6012 04

White metal doors

- 1 6012 26 For Cat.No 6012 01
- 1 6012 27 For Cat.No 6012 02
- 1 6012 28 For Cat.No 6012 03
- 1 6012 29 For Cat.No 6012 04

Composition of terminal blocks

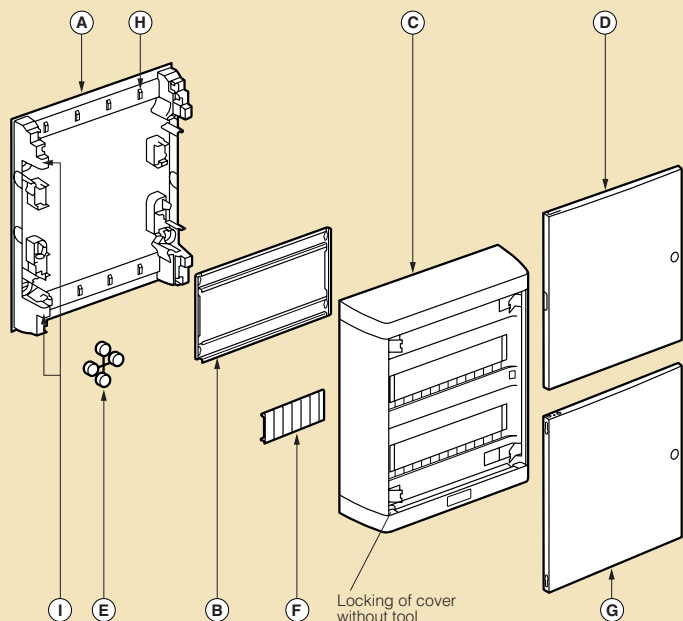
Cat.Nos	Nber of modules	Holes			
		Earth		Neutral	
		1.5 - 16 mm ²	1.5 - 10 mm ²	1.5 - 16 mm ²	1.5 - 10 mm ²
6012 00	1 x 8	4	4	4	4
6012 01	1 x (12+1)	6	6	6	6
6012 02	2 x (12+1)	8	8	8 ⁽¹⁾	8 ⁽¹⁾
6012 03	3 x (12+1)	15	15	12 ⁽¹⁾	12 ⁽¹⁾
6012 04	4 x (12+1)	15	15	18 ⁽²⁾	18 ⁽²⁾

(1) : distributed on 2 terminal blocks
(2) : distributed on 3 terminal blocks

Nedbox

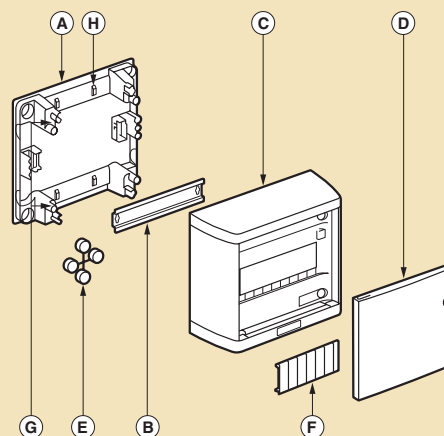
surface mounting distribution cabinets
technical characteristics

■ 2, 3 or 4 rows of 12 modules



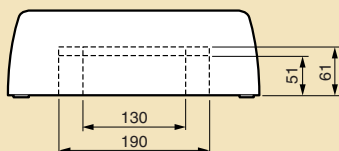
- A : insulating base
- B : chassis
- C : cover
- D : transparent or opaque plastic door
- E : sealing caps
- F : blanking plates
- G : metal door
- H : fixation for cables
- I : fixation for terminal blocks

■ 1 row of 8 or 12 modules

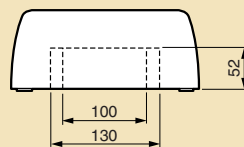


- A : insulating base
- B : rail
- C : cover
- D : transparent or opaque plastic door
- E : sealing caps
- F : blanking plates
- G : fixation for terminal blocks
- H : fixation for cables

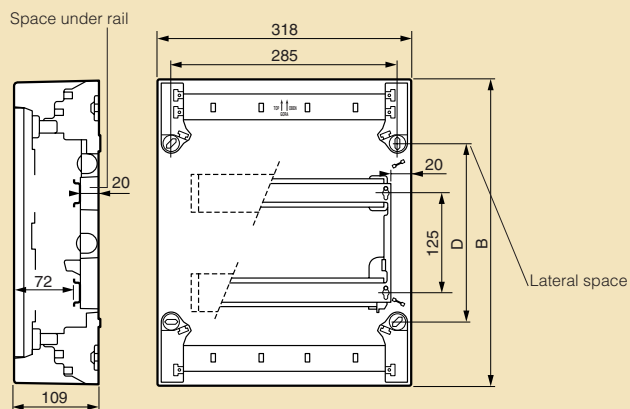
■ Pre-cut part for trunking systems



■ Pre-cut part for trunking systems

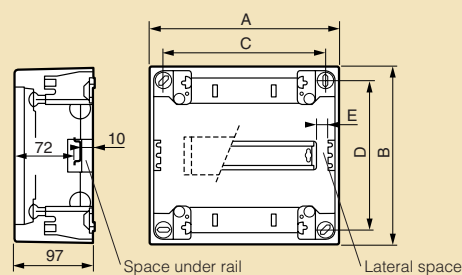


■ Dimensions

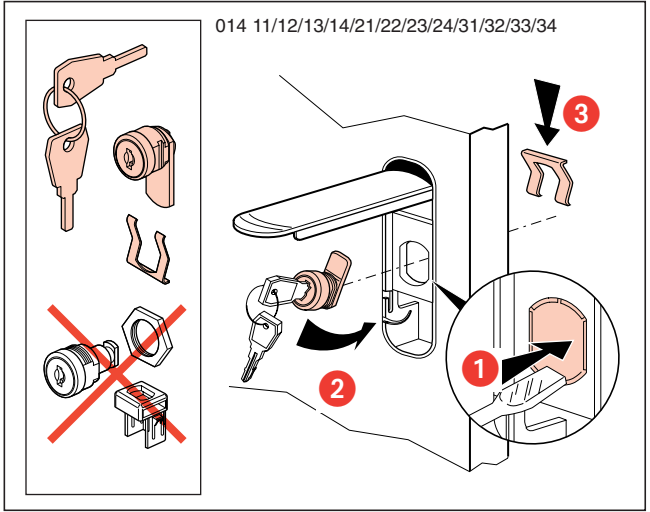
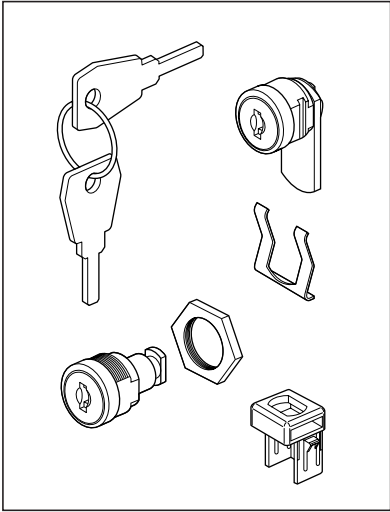


	24 mod.	36 mod.	48 mod.
B	380	505	630
D	225	350	475

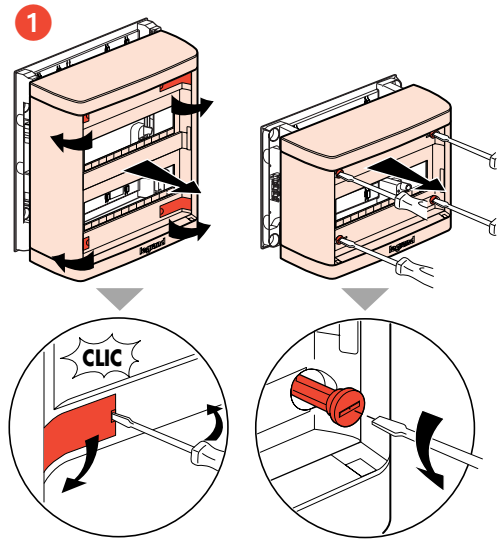
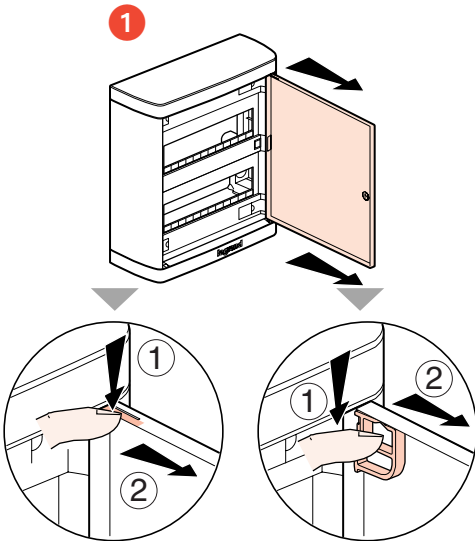
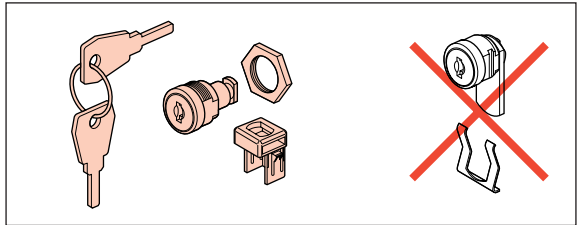
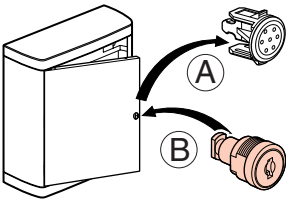
■ Dimensions

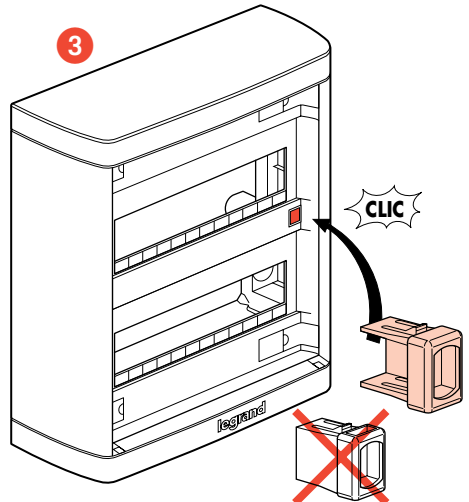
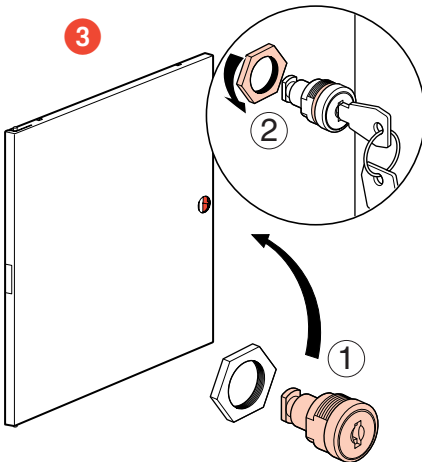
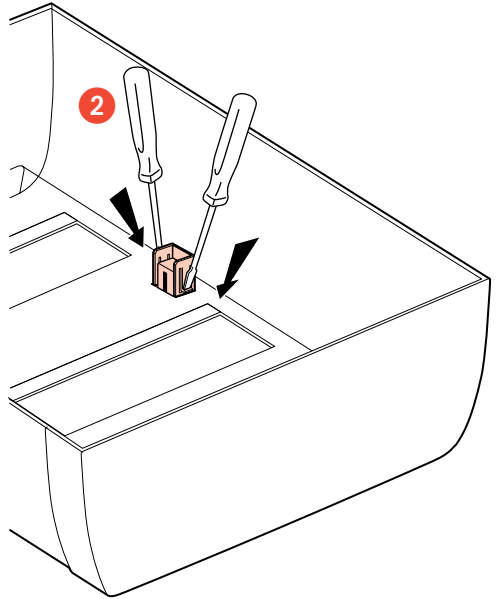
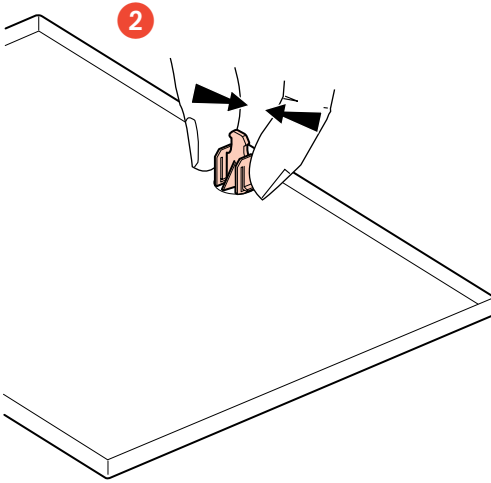
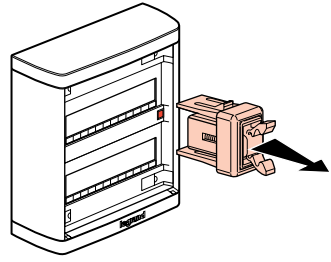
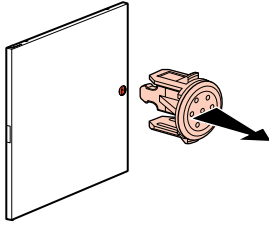


	8 mod.	12 mod.
A	225	317
B	210	240
C	195	287
D	180	150
E	14	9

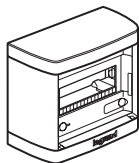


6012 05/06/07/08/09/15/16/17/18/19/26/27/28/29



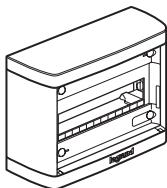


1 x 8 M



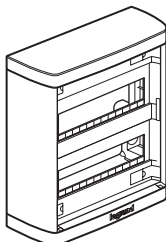
6012 00
6012 40

1 x 12 M



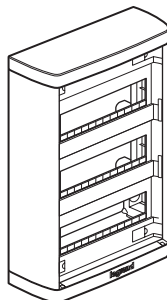
6012 01
6012 41
6012 61
HL12S

2 x 12 M



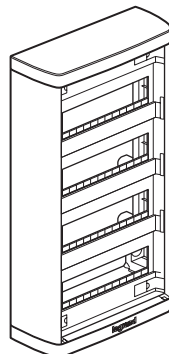
6012 02
6012 42
6012 62
HL24S

3 x 12 M

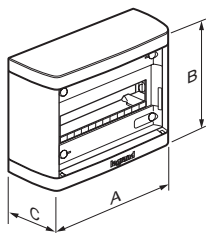
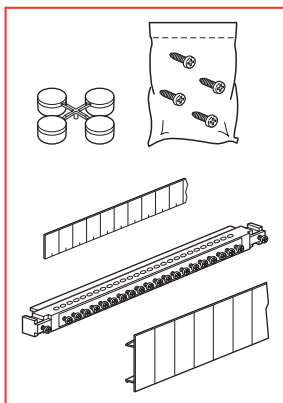


6012 03
6012 43
6012 63
HL36S

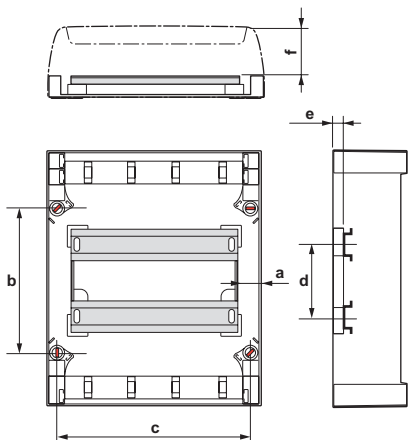
4 x 12 M



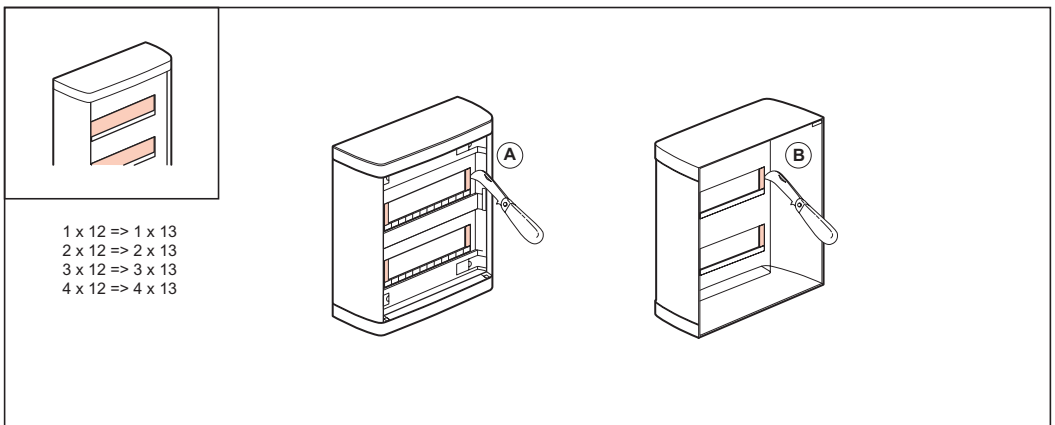
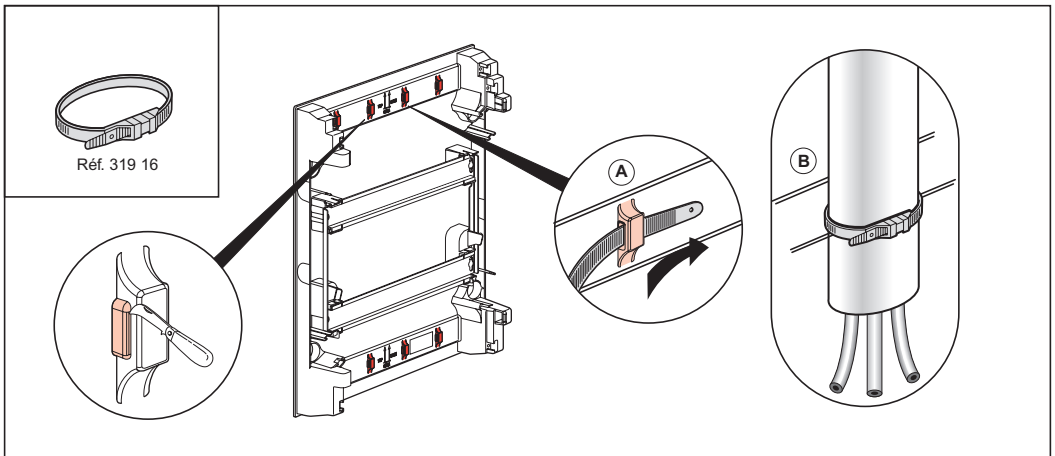
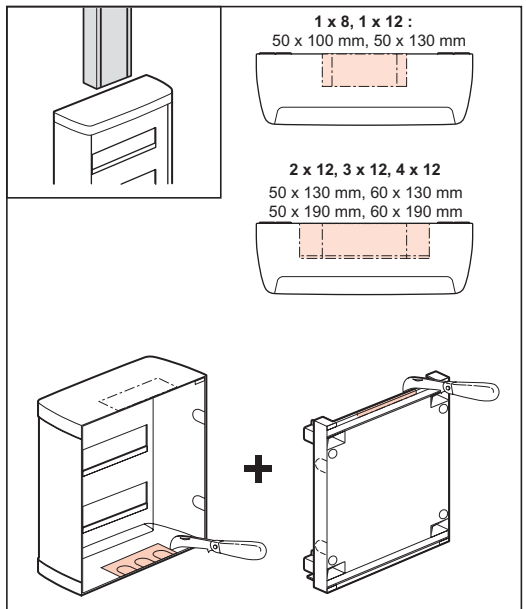
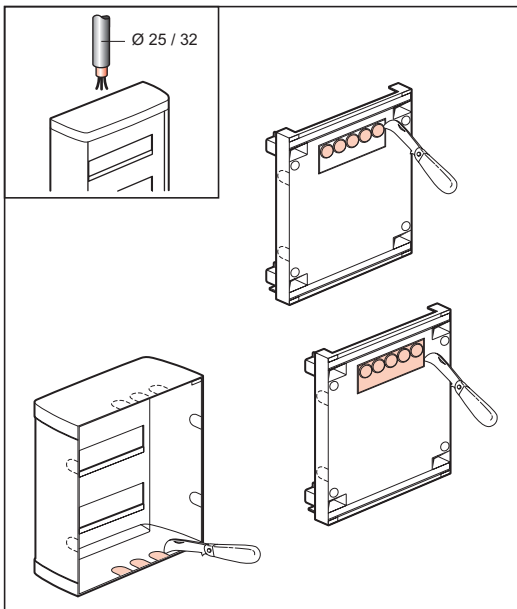
6012 04
6012 44
6012 64
HL48S

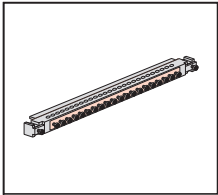
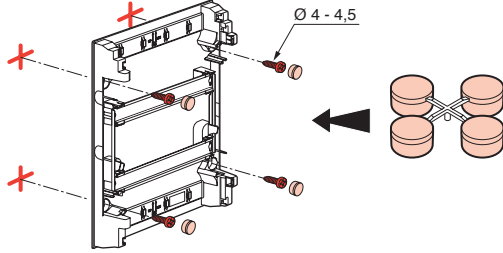
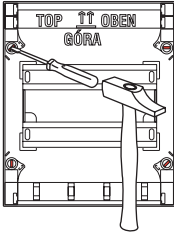
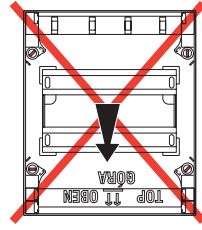
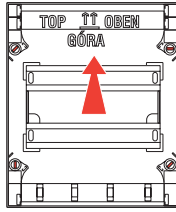
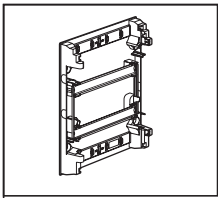


A	225	317	318	318	318
B	210	240	380	505	630
C	96	96	108	108	108

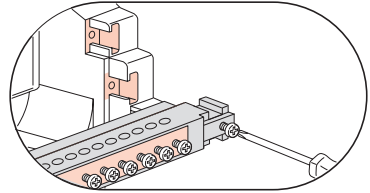
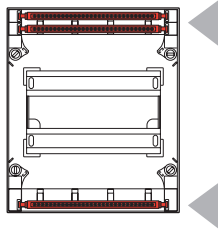


a	14	9	20	20	20
b	180	150	225	350	475
c	195	287	285	285	285
d	—	—	125	125	125
e	11	11	21	21	21
f	73	73	74	74	74



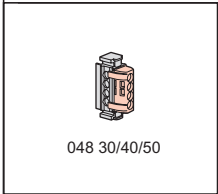
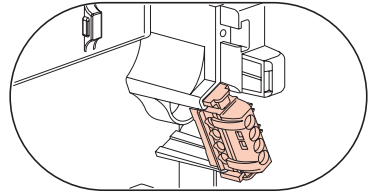
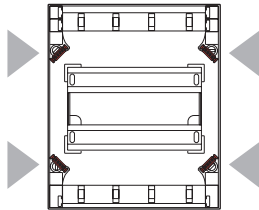


2 x 12, 3 x 12, 4 x 12



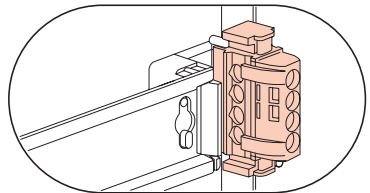
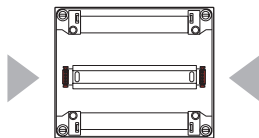
048 30/40/50

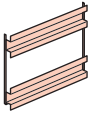
2 x 12, 3 x 12, 4 x 12



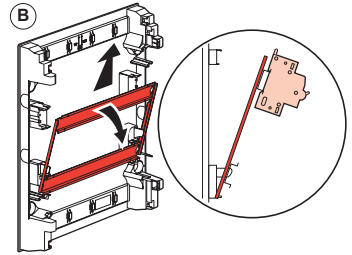
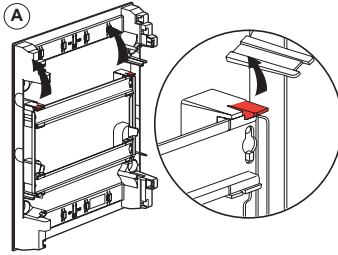
048 30/40/50

1 x 8, 1 x 12

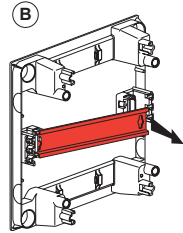
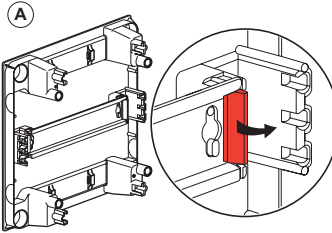




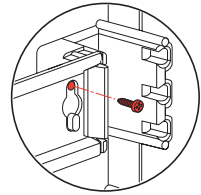
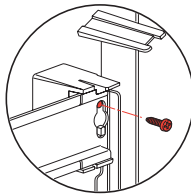
2 x 12, 3 x 12, 4 x 12



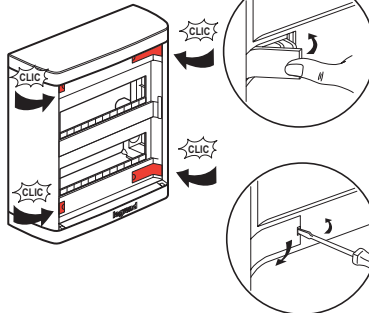
1 x 8, 1 x 12



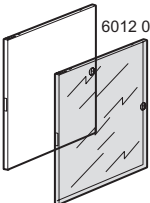
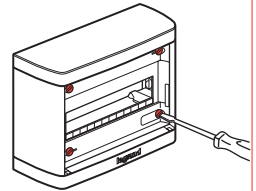
2 x 12, 3 x 12, 4 x 12
1 x 8, 1 x 12



2 x 12, 3 x 12, 4 x 12

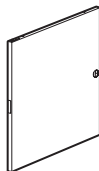


1 x 8, 1 x 12

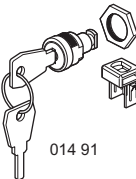


6012 05/06/07/08/09

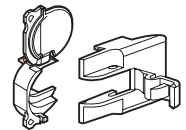
6012 15/16/
17/18/19



6012 26/
27/28/29



014 91



013 89